

Product specification

Product Name: 2835 LED STRIP

Product Model: LC-2835X120XM10W-X

Version No.: V1.1

Page: Page 6 of 6



Note: If the product specifications are changed or the products are discontinued without notice, please consult our sales representatives or product engineers before ordering.

1. Product description

2835 Flexible LED Strip is an LED electronic light-emitting product that uses FPCB (Flexible Printed Circuit Board) as the main carrier, uses SMD LED lights and electronic components as the load. The LED Strip has strong deformability, the thickness is only one coin high, and can be cut and rolled at will, which makes it highly flexible and strong variable in engineering applications. Various complex pattern changes can be made, it can also be used to hook the outline of the main body, and can also be used in irregular places and places with narrow space.

The product adopts DC12V, DC24V direct current low-voltage power supply mode, with high safety factor and simple project acceptance procedure. The light source adopts the brand chip with excellent reputation in the industry, with high brightness, low light decay, energy saving and environmental protection, and long service life. Based on the above advantages, Flexible LED Strip will become a popular product for decoration, lighting, etc.

2. LED Strip Picture



3. Features

- ★ It adopts chips from international brand manufacturers, with high brightness, large angle, good color consistency and stable performance.
- ★ Flexible tailoring, with arbitrary length, can be tailored on the complete circuit according to requirements, without destroying the principle performance.
- ★ Beautiful, energy-saving, high brightness and low heat generation, it is a pollution-free product that meets the ROHS standard.
- ★ IP Rating: IP20, IP65, IP67, IP68, the LED Strip is used in a wider range of site environments.
- ★ Easier to install, ultra-thin design, low temperature LED light source, which makes the selection and matching of auxiliary materials more flexible during the installation process.
- ★ No radiation, safer to use.

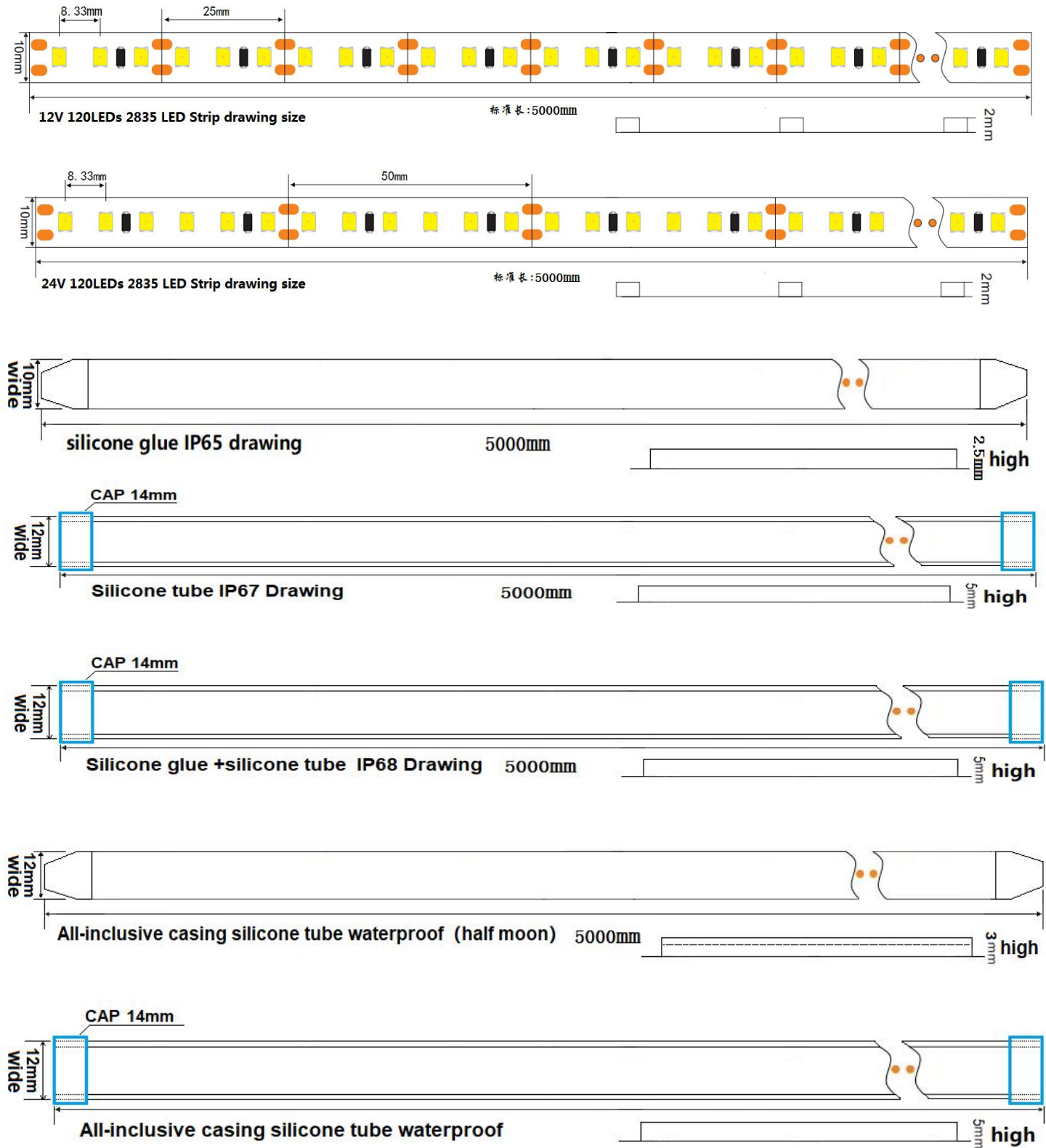
4. Product Warranty

- ★ Product warranty: two years, three years, five years, please note the warranty period for orders.

Add: 4-5/F Dadong Ming Technology Park, Yuequn Road, Changzhen, Guangming District, Shenzhen, China

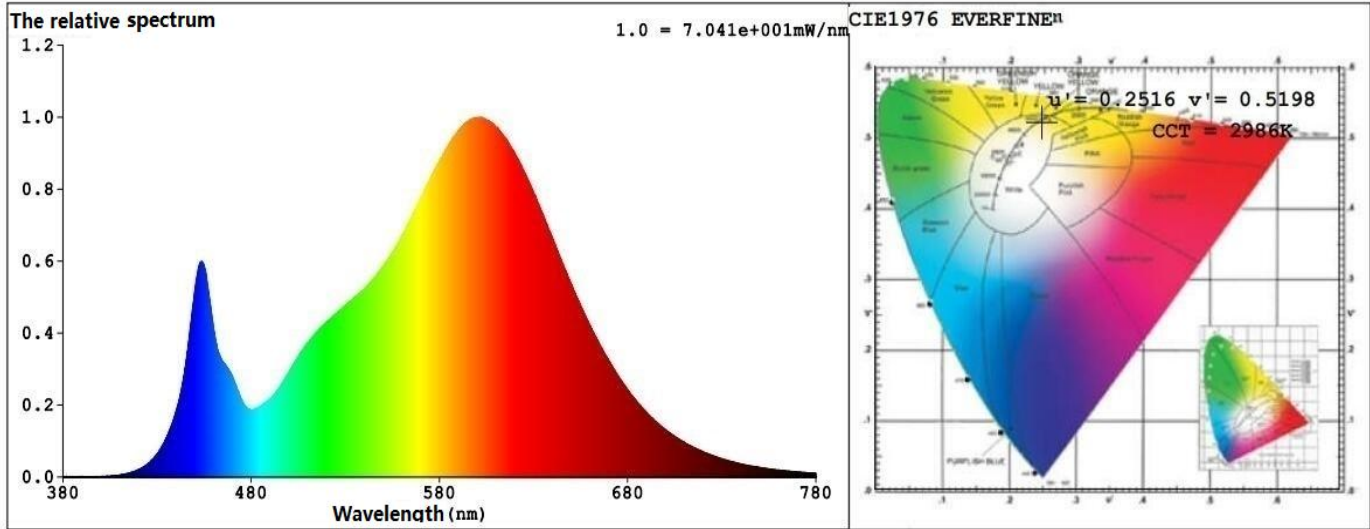
Tel: 0755-27350605
Fax: 0755-23245913
HTTP: www.color-led.com

5.LED Strip Dimension



6. Electrical parameters (unit: 1 metre)

Spectral parameters



Colorimetric Parameters

Chromaticity Coordinate: $x=0.4360$ $y=0.4003$ / $u'=0.2516$ $v'=0.5198$ ($duv=-1.37e-03$)

Correlated color temperature: $CCT=2986K$ Dominant Wave: $\lambda_d=583.4nm$ Color purity: Purity=51.0%

Peak Wave: $\lambda_p=602nm$ Half Width: $FWHM=118.2nm$ Flux RGB Ratio: $R=22.7\%$, $G=74.6\%$, $B=2.6\%$

Rendering Index: $R_a=80.2$

$R_1=79$ $R_2=91$ $R_3=94$ $R_4=77$ $R_5=79$ $R_6=89$ $R_7=80$

$R_8=54$ $R_9=0$ $R_{10}=79$ $R_{11}=75$ $R_{12}=69$ $R_{13}=82$ $R_{14}=98$ $R_{15}=71$

Luminosity & Radiance Parameters

Flux: $\Phi=2063.7lm$ Luminous Efficacy: $97.62lm/W$ Radiation flux: $\Phi_e=10.102W$

Ele. Parameters

Voltage: $V=24V$ Electric current: $I=0.881A$ Power: $P=21.14W$ Power factor: $PF=1.000$ Frequency: $0.00Hz$

LED Strip parameters:

| Product No. | LED Qty | Power | Voltage | Width | Wavelength | CRI(color rendering index) | Luminance |
|--------------------|-------------|---------------|---------|-------|----------------------|----------------------------|---------------|
| LC-2835X120XM10W-X | 120LED | 21.6W | DC24V | 10mm | Red | / | 400LM-600LM |
| | | | | | Green | | 500LM-800LM |
| | | | | | Blue | | 300LM-500LM |
| | | | | | Yellow | | |
| | | | | | White (1800k-10000k) | $R_a:80-90$ | 1600LM-2000LM |
| | $R_a:90-95$ | 1400LM-1800LM | | | | | |
| | $R_a:>95$ | 1200LM-1600LM | | | | | |

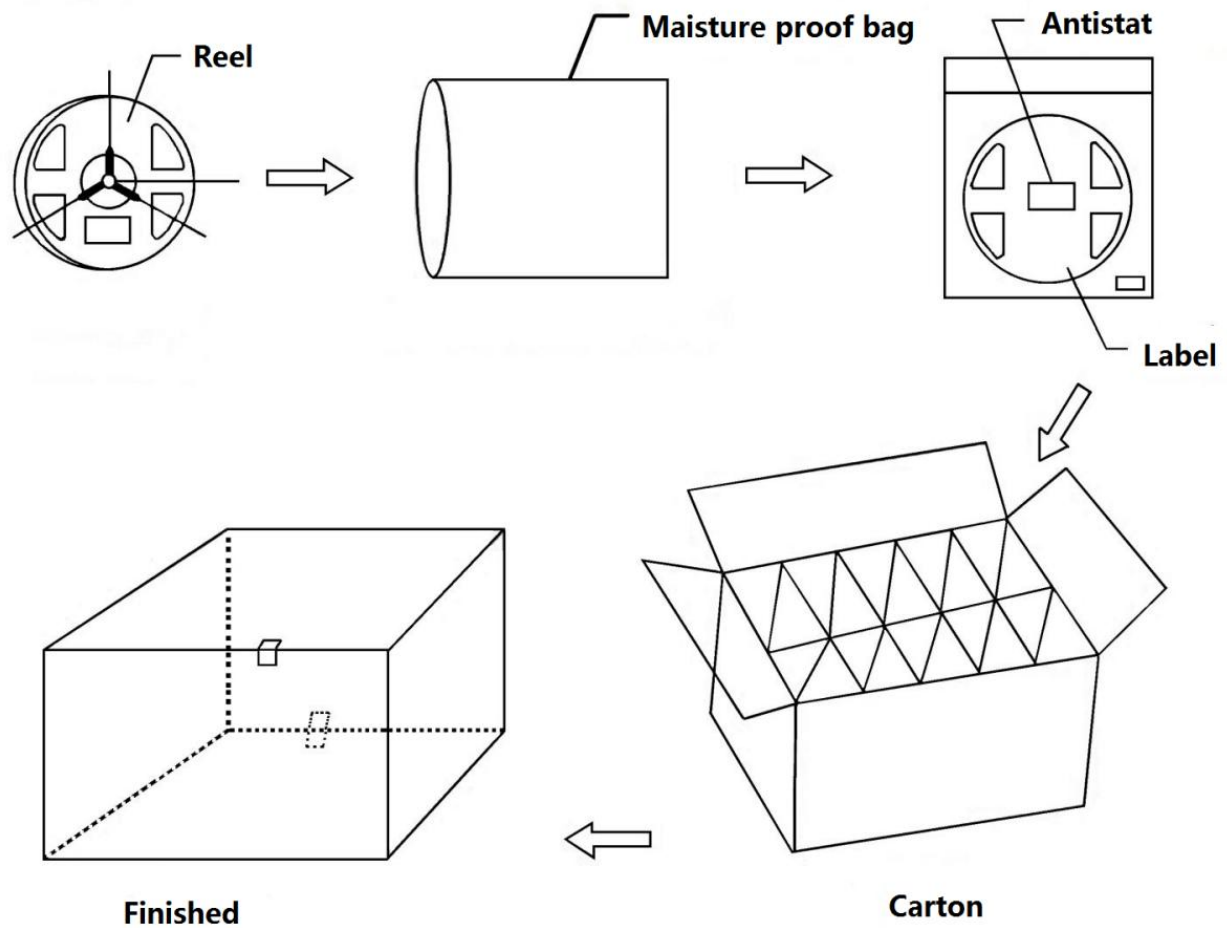
Add: 4-5/F Dadong Ming Technology Park, Yuequn Road, Changzhen, Guangming District, Shenzhen, China

Tel: 0755-27350605

Fax: 0755-23245913

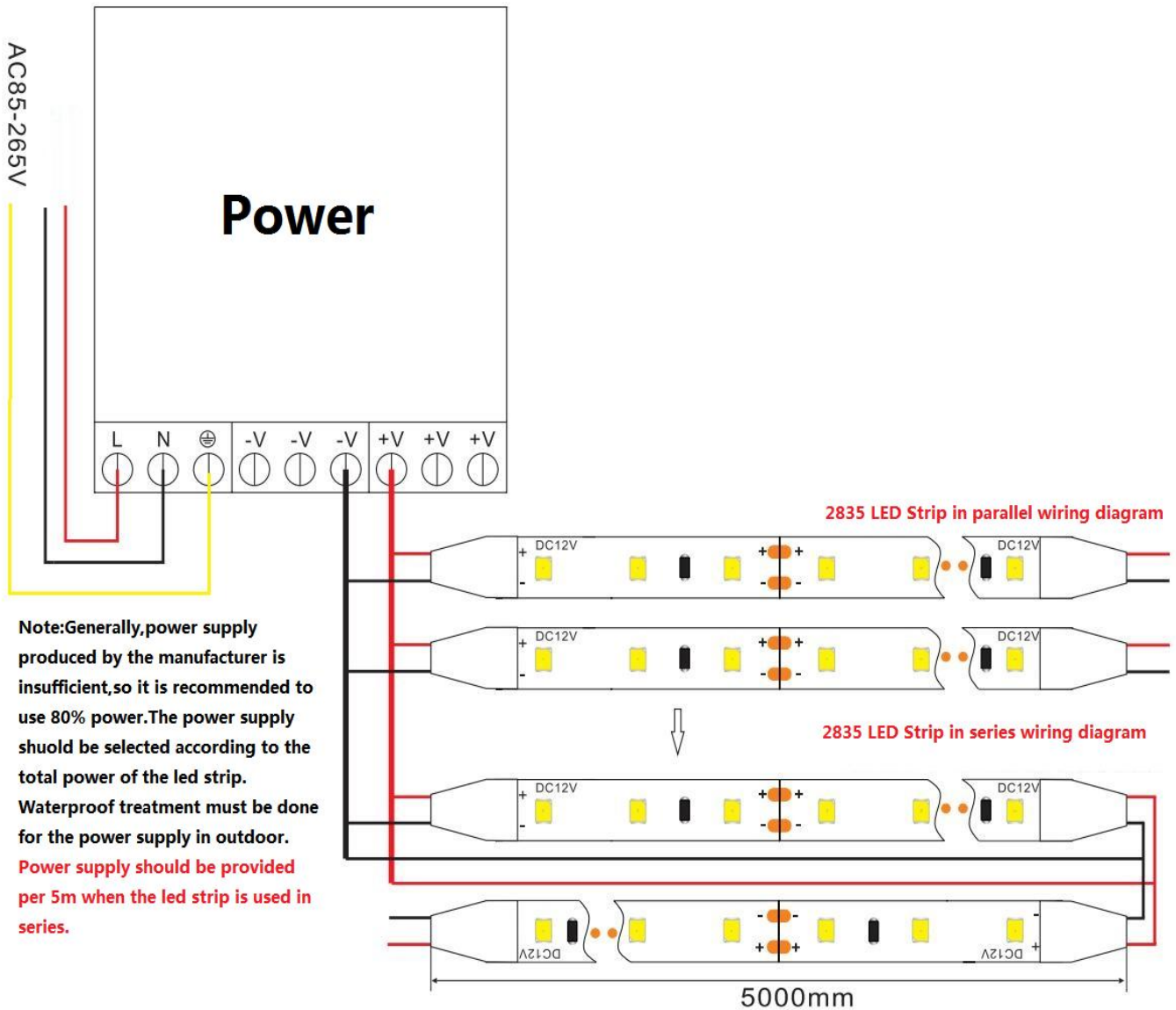
HTTP: www.color-led.com

7.Packing



Note: This picture is only used for regular product packaging. For customized products, the packaging method will be different depending on the actual size, and the packaging method will be individually customized.

8.Connection Diagram



Note: Generally, power supply produced by the manufacturer is insufficient, so it is recommended to use 80% power. The power supply should be selected according to the total power of the led strip. Waterproof treatment must be done for the power supply in outdoor. Power supply should be provided per 5m when the led strip is used in series.

NOTE :

- 1.The AC wiring must be connected to the ground wire to prevent electric shock.
- 2.The overload current of the main wire of the LED Strip is the sum of the currents of the sub-wires, so in actual engineering applications, the model of the main wire should be appropriately increased to prevent the wire from overheating and accidents.
- 3.The specification is only for regular quotation products, specific products have specified parameters, which are not within the scope of this specification.