

## Product specification

**Product Name:** 60LEDs/m UCS2904 RGBW LED STRIP

**Product Model:** LC-2904X60XM10W-24V

**Version No.:** V1.1

**Page:** Page 6 of 6



**Note: If the product specifications are changed or the products are discontinued without notice, please consult our sales representatives or product engineers before ordering.**

## 1. Product description

External 2904 Serial Signal Flexible LED Strip is an LED electronic light-emitting product that uses FPCB (Flexible Printed Circuit Board) as the main carrier, uses SMD LED lights and electronic components as the load. The LED Strip has strong deformability, and can be cut and rolled at will, which makes it highly flexible and strong variable in engineering applications. Various complex pattern changes can be made. The product is designed with external IC. It uses RS232 serial standard protocol. In actual project application, it is suitable for installation in various scenarios.

The product adopts DC24V direct current low-voltage power supply mode, with high safety factor and simple project acceptance procedure. The light source and external IC adopt the industry's excellent brand raw materials, with high brightness, low light decay, energy saving and environmental protection, and long service life. Based on the above advantages, external 2904 serial signal Flexible LED Strip will become a popular product for decoration, lighting, etc.

## 2. LED Strip Picture



## 3. Features

- ★ Uses raw materials from international brand manufacturers, with high brightness, large angle, strong control protocol versatility, and stable performance.
- ★ Flexible tailoring, with arbitrary length, can be tailored on the complete circuit according to requirements, without destroying the principle performance.
- ★ Beautiful, energy-saving, high brightness and low heat generation, it is a pollution-free product that meets the ROHS standard.
- ★ IP Rating: IP20, IP65, IP67, IP68, the LED Strip is used in a wider range of site environments.
- ★ Easier to install, pixel concentration, Low temperature LED light source, which makes the selection and matching of auxiliary materials more flexible during the installation process.
- ★ No radiation, safer to use.

## 4. Product Warranty

- ★ Product warranty: two years, three years, five years, please note the warranty period for orders.

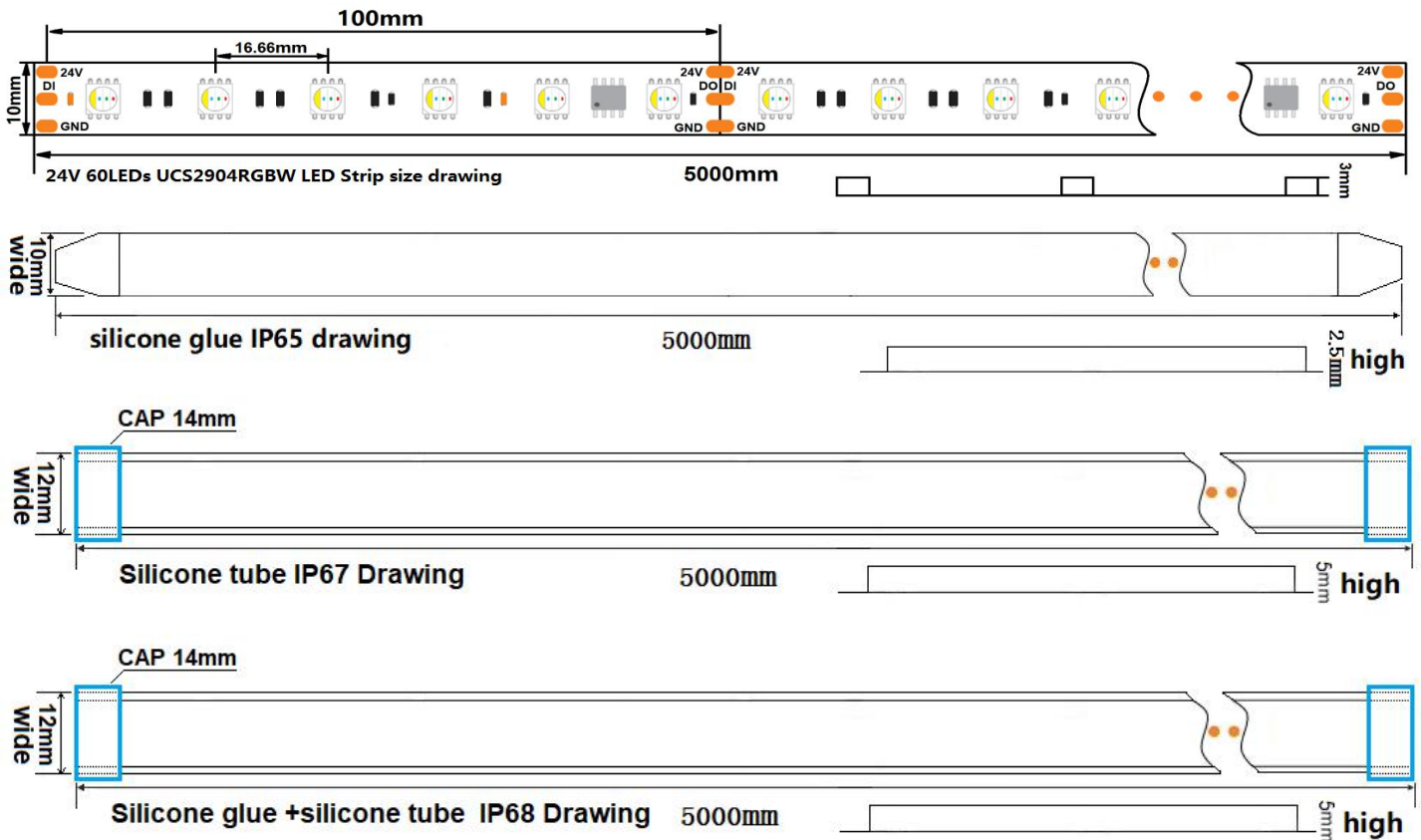
Add: 4-5/F Dadong Ming Technology Park, Yuequn Road, Changzhen, Guangming District, Shenzhen, China

Tel: 0755-27350605

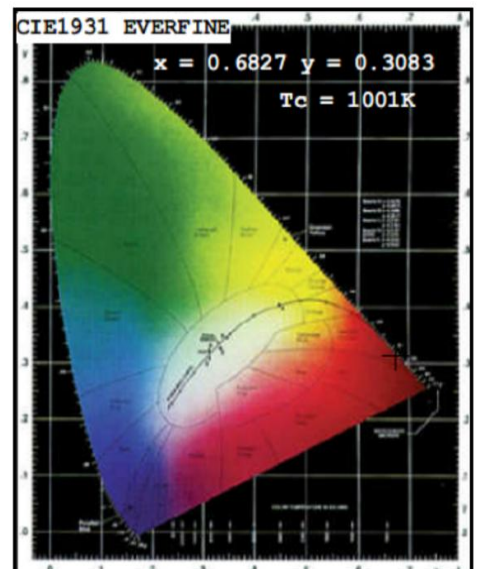
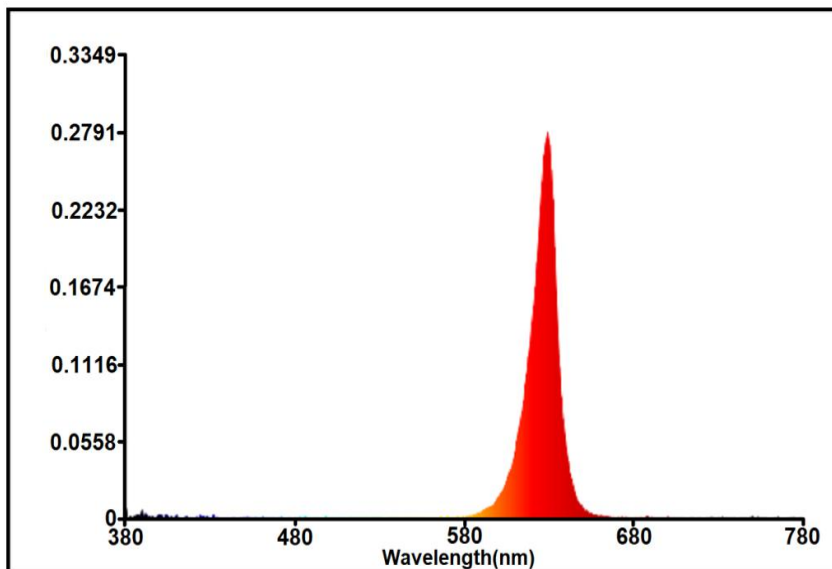
Fax: 0755-23245913

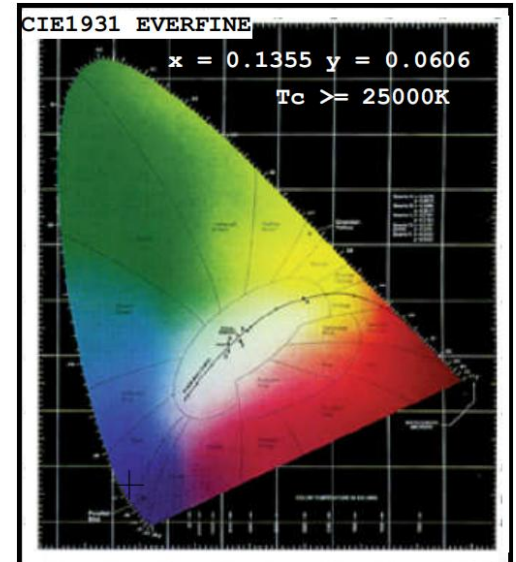
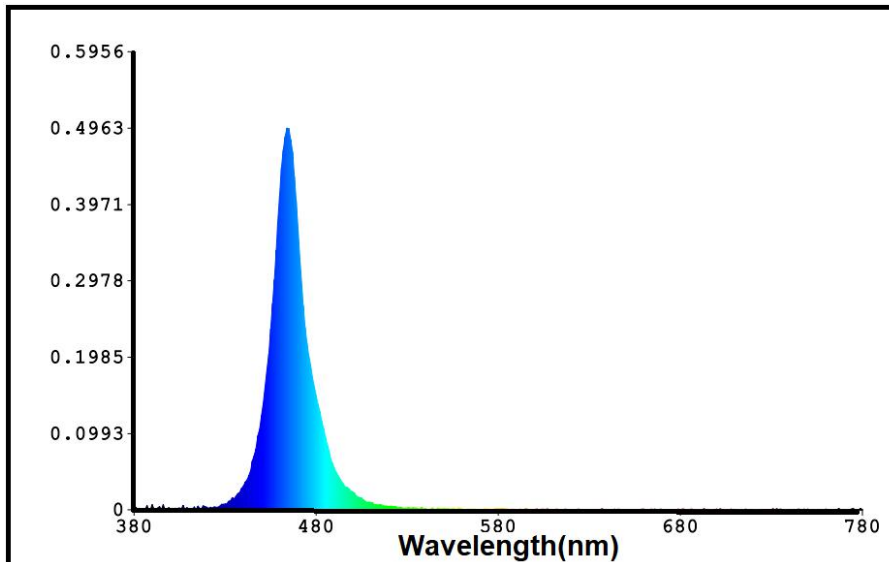
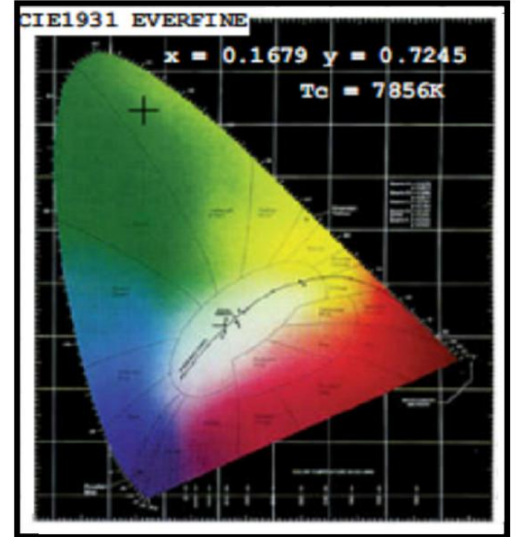
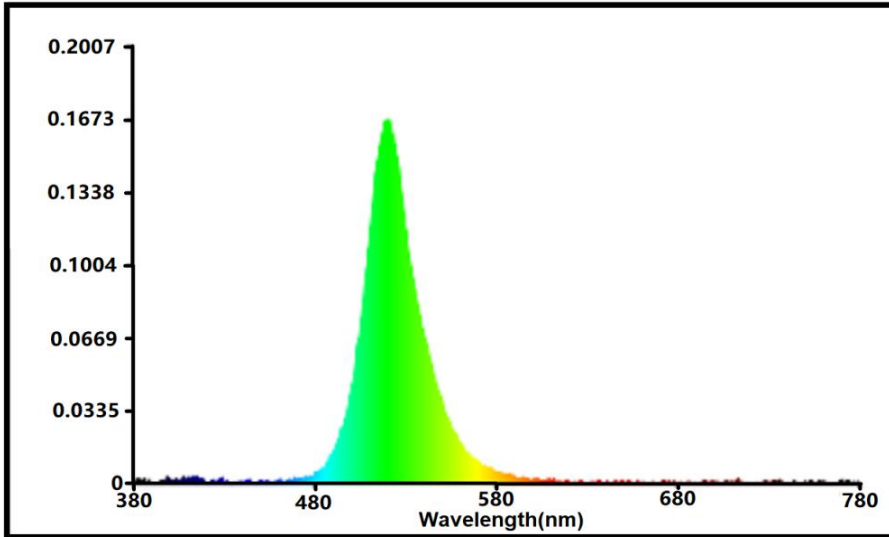
HTTP: [www.color-led.com](http://www.color-led.com)

## 5. LED Strip Dimension



## 6. Electrical parameters

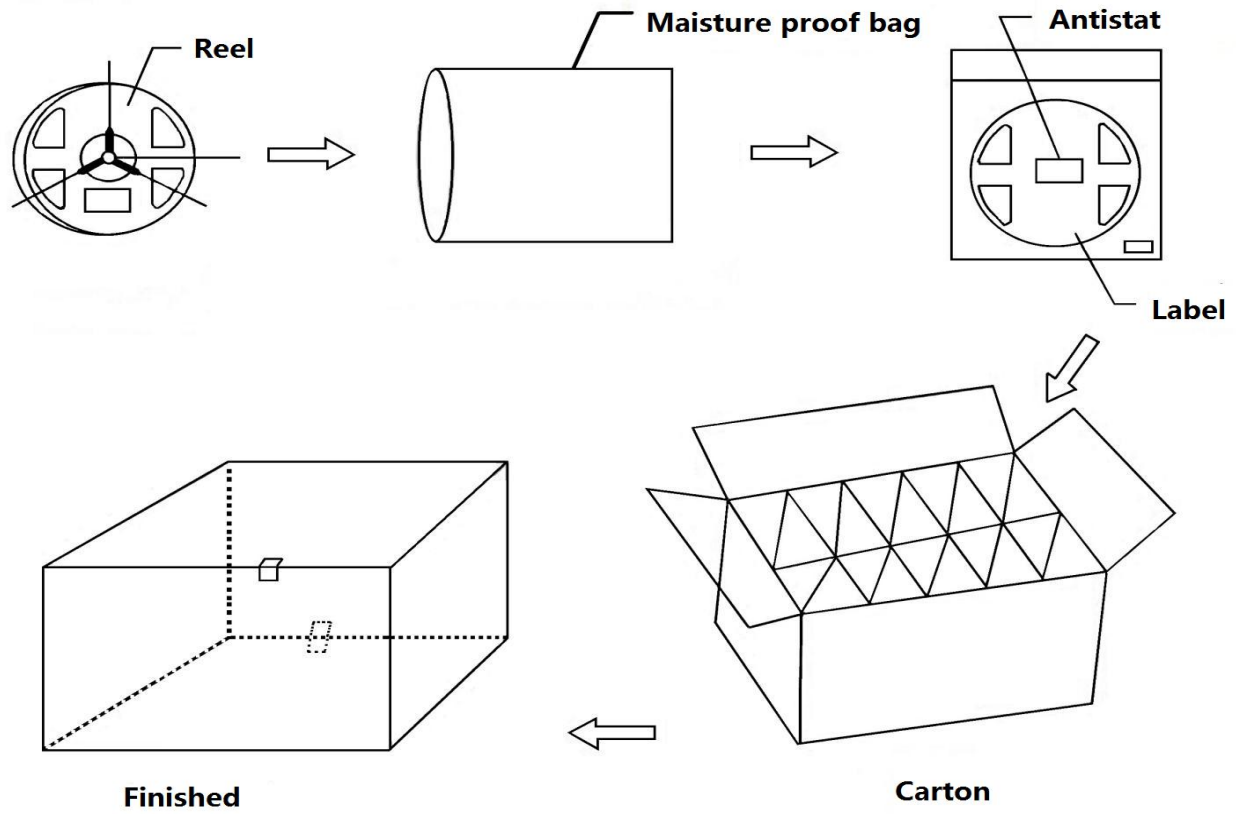




**LED Strip parameters:**

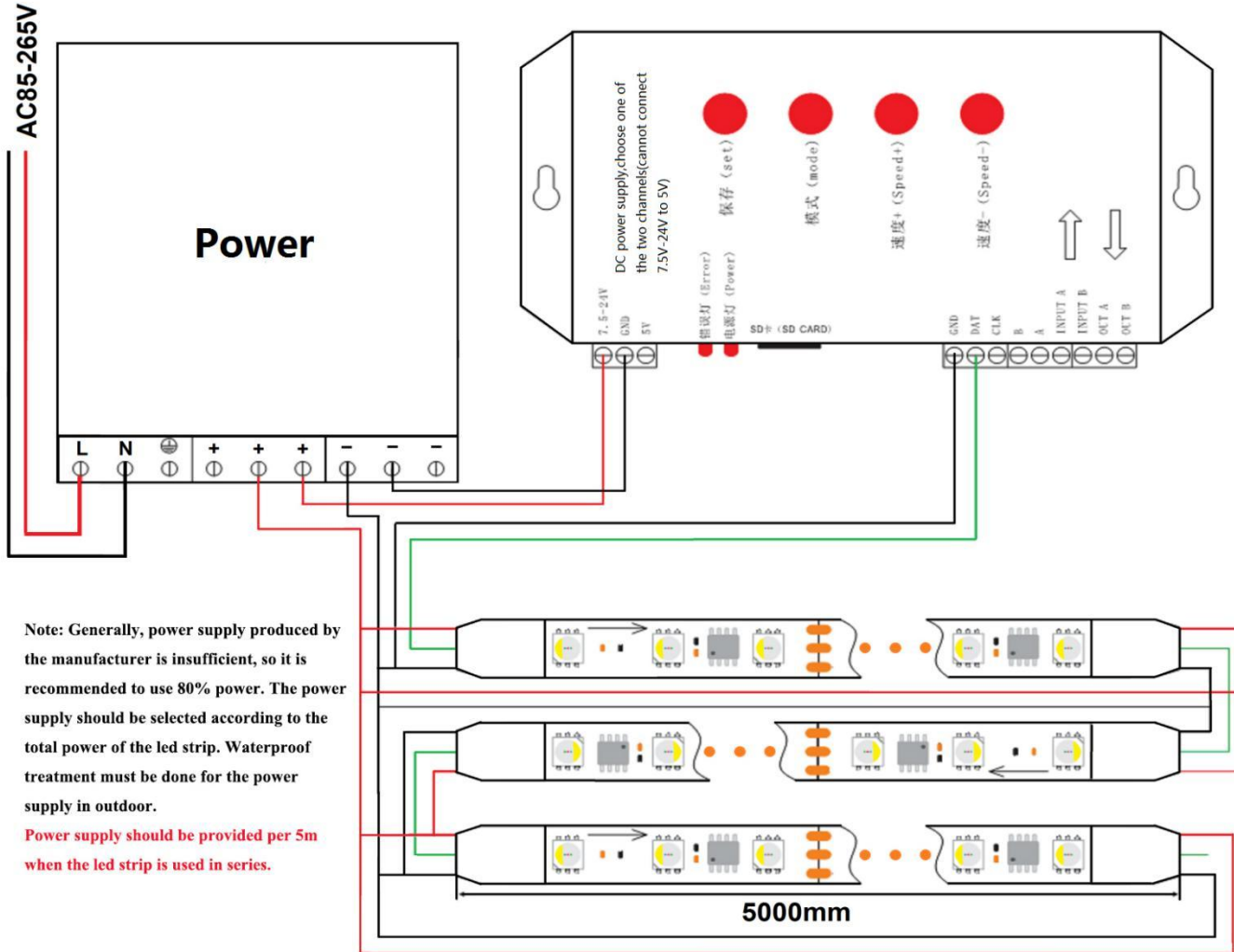
Product No.	LED Qty	Power	Voltage	Width	Color	Wavelength	Control Protocol
LC-2904X60XM10 W-24V	60LED	19.2W	DC24V	10mm	RGBW (1800-10000K)	R: 620nm-625nm	TTL/SPI
						G: 520nm-525nm	
						B: 460nm-465nm	
						W: 580nm-595nm	

## 7.Packing



Note: This picture is only used for regular product packaging. For customized products, the packaging method will be different depending on the actual size, and the packaging method will be individually customized.

## 8.Connection Diagram



### NOTE :

- 1.The AC wiring must be connected to the ground wire to prevent electric shock
- 2.The overload current of the main wire of the LED Strip is the sum of the currents of the sub-wires, so in actual engineering applications, the model of the main wire should be appropriately increased to prevent the wire from overheating and accidents.
- 3.The specification is only for regular quotation products, specific products have specified parameters, which are not within the scope of this specification