

## Product specification

**Product Name:** 3014 LED STRIP

**Product Model:** LC-3014X120XM8W-X

**Version No.:** V1.1

**Page:** Page 6 of 6



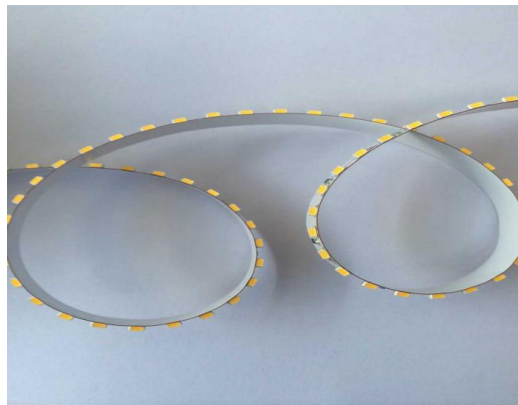
**Note: If the product specifications are changed or the products are discontinued without notice, please consult our sales representatives or product engineers before ordering.**

## 1.Product description

3014 Flexible LED Strip is an LED electronic light-emitting product that uses FPCB (Flexible Printed Circuit Board) as the main carrier,uses SMD LED lights and electronic components as the load. The LED Strip has strong deformability,the thickness is only one coin high,and can be cut and rolled at will, which makes it highly flexible and strong variable in engineering applications. Various complex pattern changes can be made,it can also be used to hook the outline of the main body,and can also be used in irregular places and places with narrow space.

The product adopts DC12V/DC24V direct current low-voltage power supply mode, with high safety factor and simple project acceptance procedure. The light source adopt the brand chip with excellent reputation in the industry, with high brightness, low light decay, energy saving and environmental protection, and long service life. Based on the above advantages, Flexible LED Strip will become a popular product for decoration,lighting, etc.

## 2.LED Strip Picture



## 3.Features

- ★It adopts chips from international brand manufacturers, with high brightness, large angle, good color consistency and stable performance.
- ★Flexible tailoring, with arbitrary length, can be tailored on the complete circuit according to requirements, without destroying the principle performance.
- ★Beautiful, energy-saving, high brightness and low heat generation, it is a pollution-free product that meets the ROHS standard.
- ★IP Rating:IP20, IP65, IP67, IP68, the LED Strip is used in a wider range of site environments.
- ★Easier to install, ultra-thin design, low temperature LED light source, which makes the selection and matching of auxiliary materials more flexible during the installation process.
- ★No radiation, safer to use.

## 4.Product Warranty

- ★Product warranty: two years, three years, five years, please note the warranty period for orders.

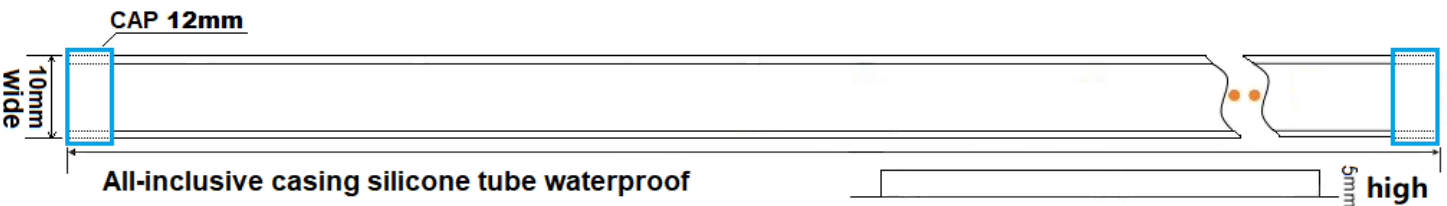
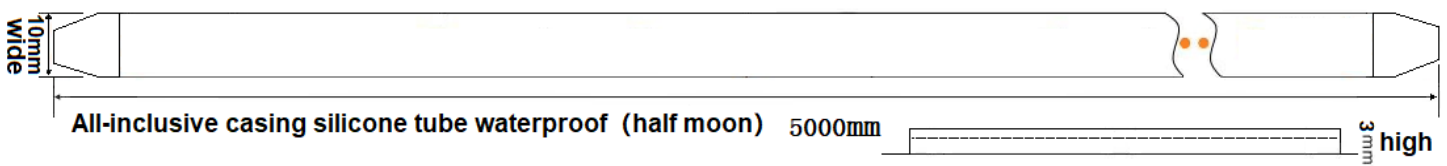
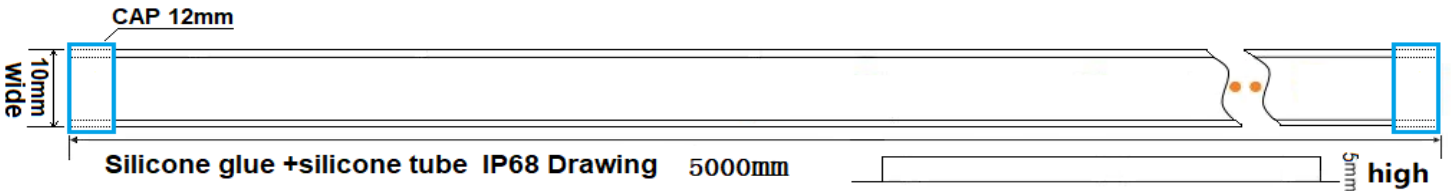
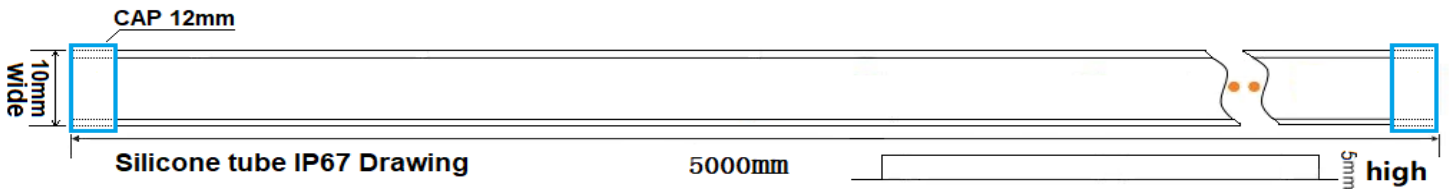
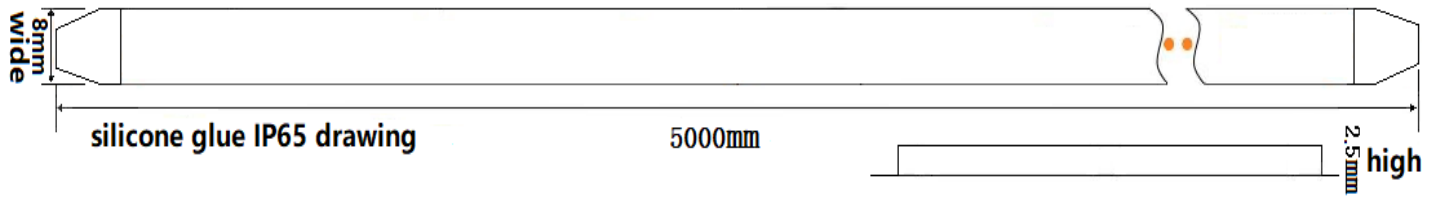
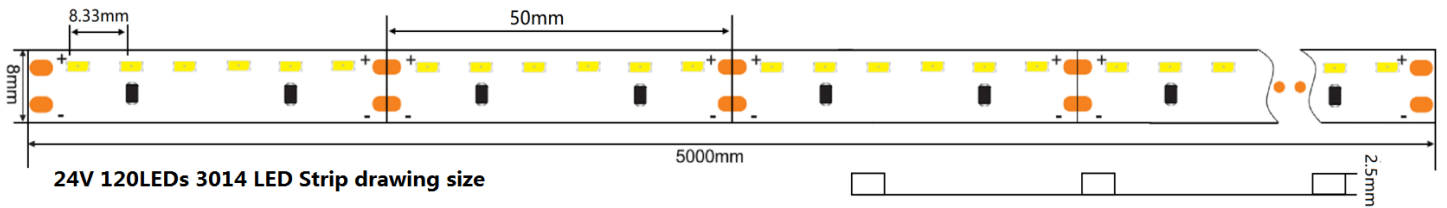
Add: 4-5/F Dadong Ming Technology Park, Yuequn Road,Changzhen,Guangming District,Shenzhen,China

Tel: 0755-27350605

Fax: 0755-23245913

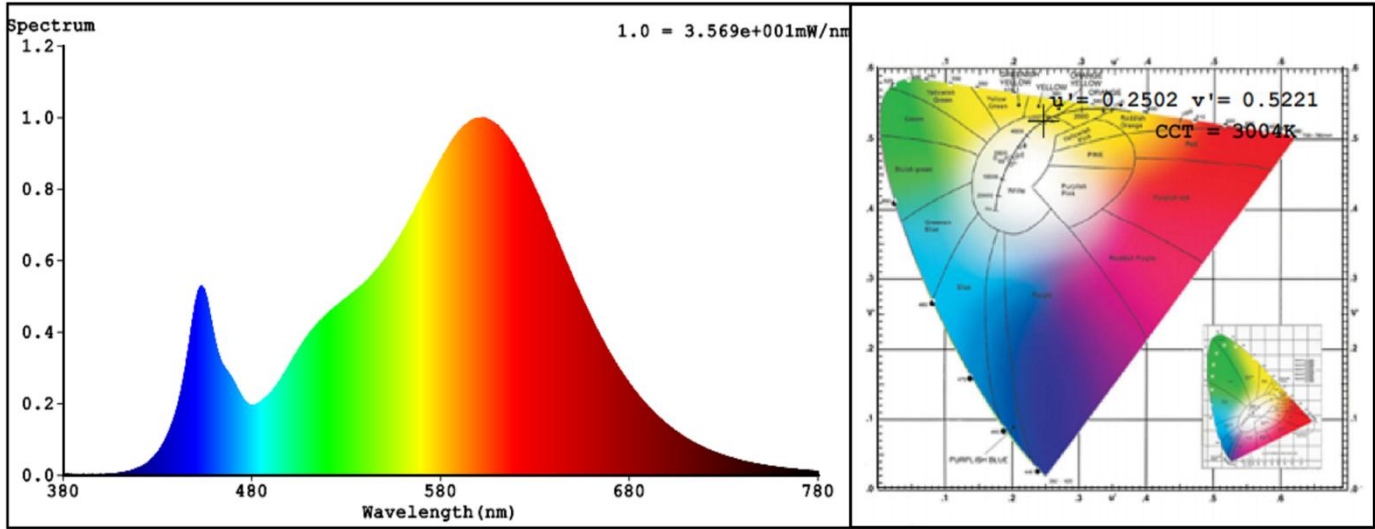
HTTP: [www.color-led.com](http://www.color-led.com)

## 5.LED Strip Dimension



**6. Electrical parameters ( unit: 1 metre)**

**Spectrum**



**Colorimetric Parameters**

Chromaticity Coordinate:  $x = 0.4375$   $y = 0.4057$  /  $u' = 0.2502$   $v' = 0.5221$  ( $duv=5.73e-04$ )

CCT= 3004K Prcp WL:  $L_d=582.6nm$  Purity=53.1%

Peak WL:  $L_p=603nm$  FWHM: =123.1nm Ratio:R=22.6% G=74.8% B=2.6%

Render Index:  $R_a = 81.1$

R1 =79 R2 =91 R3 =96 R4 =78 R5 =80 R6 =89 R7 =81  
R8 =56 R9 =0 R10=79 R11=77 R12=69 R13=82 R14=98 R15=71

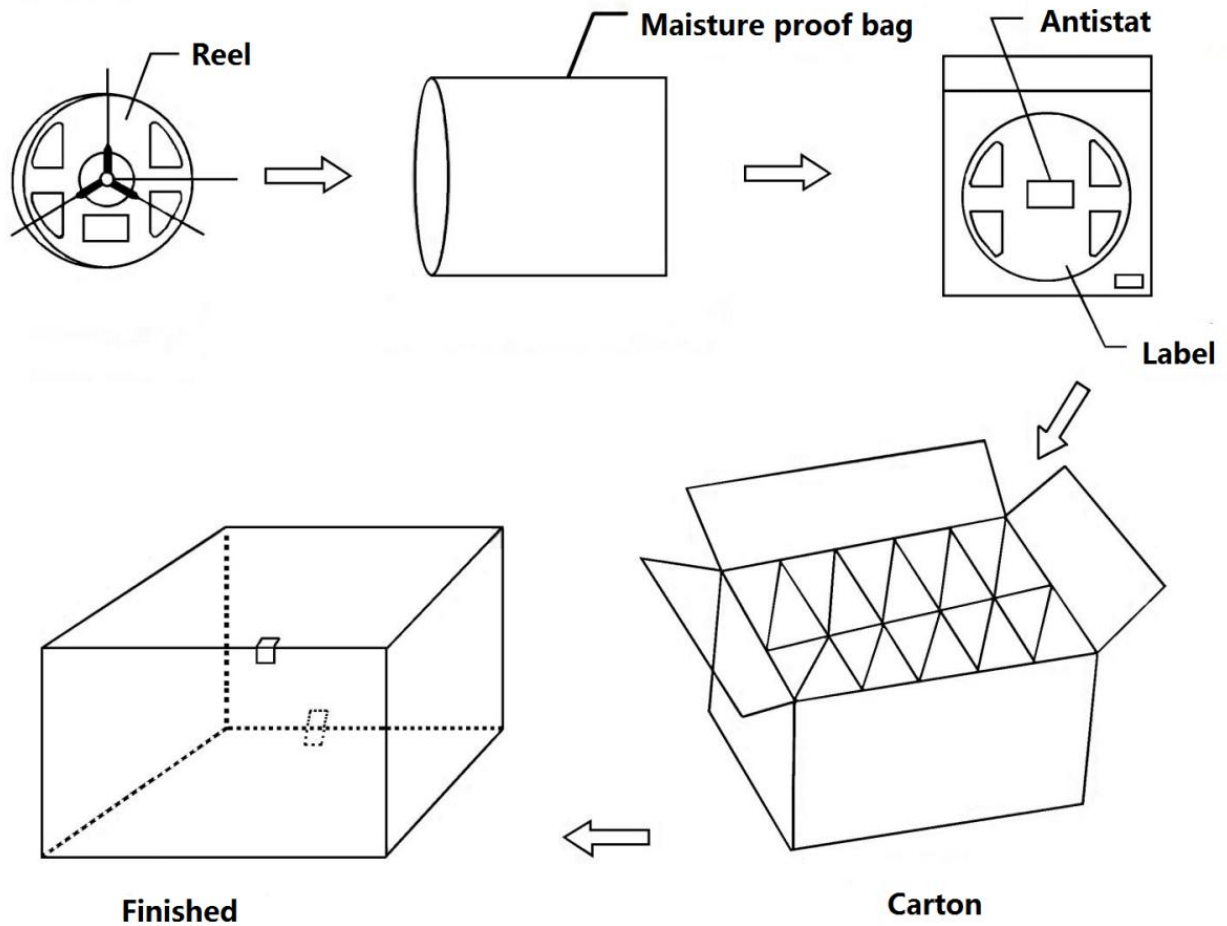
**Photometric & Radiometric Parameters**

Flux = 835.4lm Eff.: 64.41lm/W  $F_e = 5.1770W$

**LED Strip parameters:**

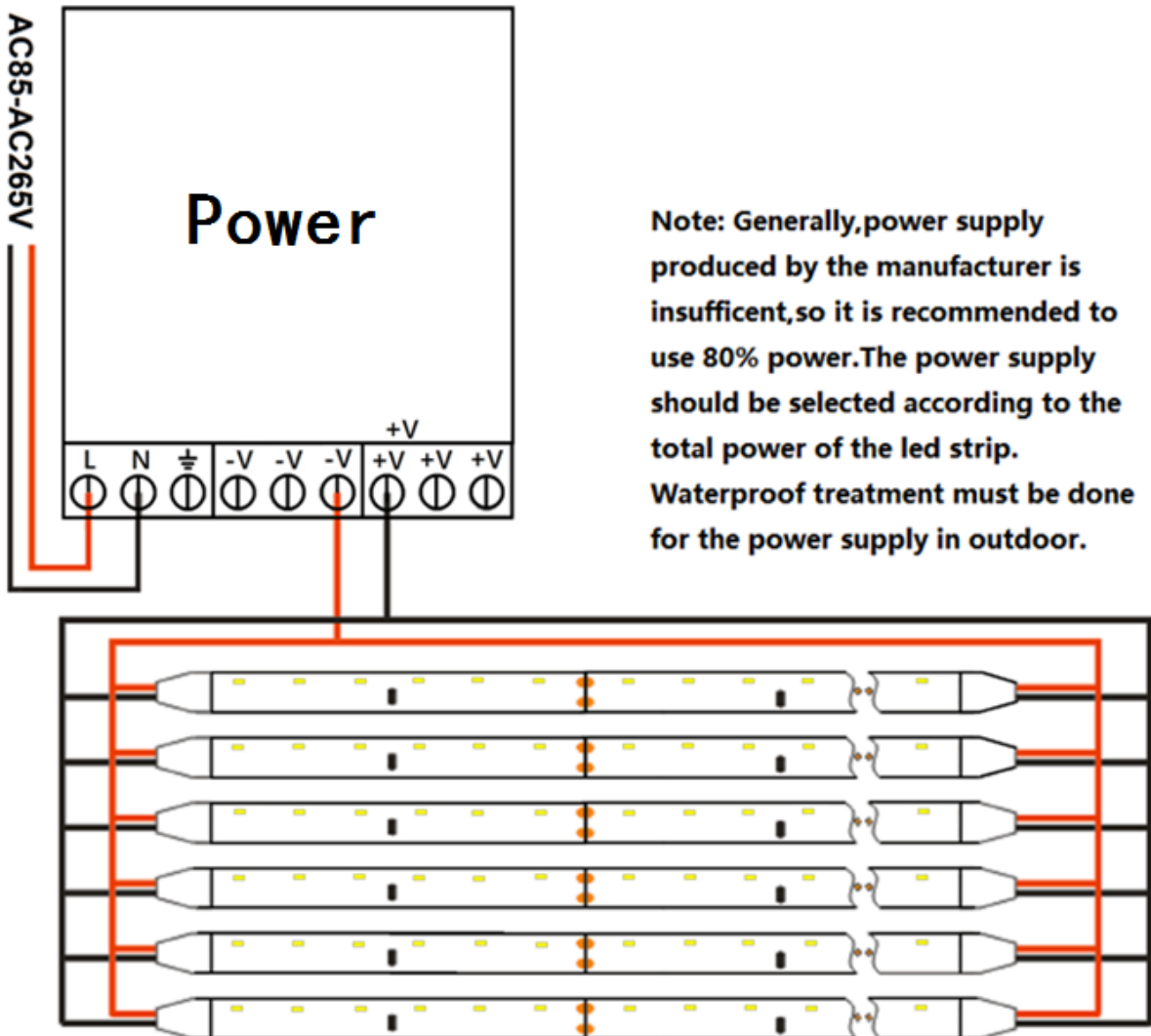
Product No.	LED Qty	Power	Voltage	Width	Wavelength	CRI(color rendering index)	Luminance
LC-3014X120XM8 W-X	120LED	14.4W	DC12V DC24V	8mm	Red	/	300LM-600LM
					Green		500LM-1000LM
					Blue		300LM-600LM
					Yellow		350LM-700LM
					White (1800k-10000k)	Ra:80-90	700LM-1200LM
	Ra:90-95	600LM-1100LM					
	Ra:>95	500LM-1000LM					

## 7.Packing



Note: This picture is only used for regular product packaging. For customized products, the packaging method will be different depending on the actual size, and the packaging method will be individually customized.

## 8.Connection Diagram



### NOTE:

- 1.The AC wiring must be connected to the ground wire to prevent electric shock.
- 2.The overload current of the main wire of the LED Strip is the sum of the currents of the sub-wires, so in actual engineering applications, the model of the main wire should be appropriately increased to prevent the wire from overheating and accidents.
- 3.The specification is only for regular quotation products, specific products have specified parameters, which are not within the scope of this specification.